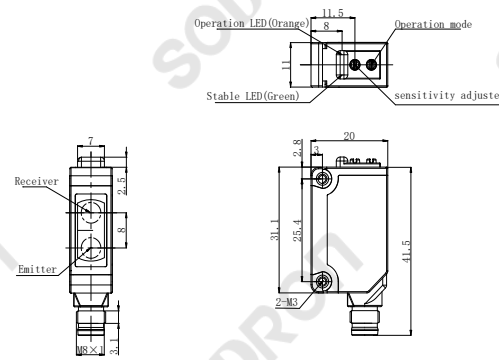




Dimensions



Model

PF31V-D10BNS-E1
PF31V-D10BPS-E1

Technical parameters

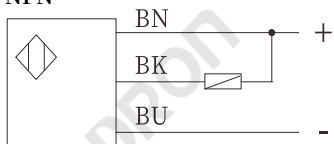
Detection method	Diffuse Reflective Type
Model	NPN PF31V-D10BNS-E1 PNP PF31V-D10BPS-E1
Sensing distance	10cm (Adjustable Distance)
Standard target	100*100 Reflectivity 90% White Cardboard
Output mode	Light ON/Dark ON adjustable
Light source	Infrared light850nm
Supply power	DC 12~24V ±10% impulse(P-P) < 10%(DC10-30V)
Residual voltage	2V max(Load current≤100mA)

Product features

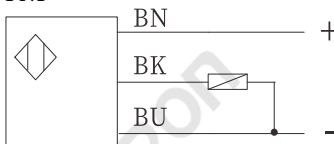
- Diffuse Reflective Type, Infrared light850nm
- Adopts ASIC, featuring fast response and high frequency
- IEC IP67

Connection

NPN

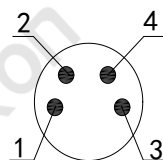


PNP



Current consumption	< 20mA
Load current	≤100mA
Circuit protection	Reverse connection protection, Short circuit protection
Response time	<1ms
Indicator light	Output: OrangeLED Stable: Green LED
Connection	Connector model (M8 Four-pin Male Plug)
Ambient temperature	Work: -25 ~ +55°C; Store: -30 ~ +70°C, (No dew condensation or icing allowed)
Ambient humidity	Work: 35 ~ 85%RH, Store: 35 ~ 95%RH, (No dew condensation)
Ambient illumination	Sunlight: 10,000Lx Lamplight:3,000Lx
Withstand Voltage	1000VAC, 50/60Hz,1min , between current-carrying parts and case
Insulation resistance	> 20MΩ (DC500V megger) between current-carrying parts and case
Anti-vibration	10~55Hz double-amplitude 1.5mmX,Y,Z 2h
Impact resistance	500m/s ² X,Y,Z , directions for 3 times
Protection degree	IEC IP67
Material	Housing PBT Lens PMMA

Terminal Number and Function Table



Terminal No.	Technical parameters
1	+V
2	No connection
3	0V
4	output